

AC FAN

MA1751-NSeries

JAMICON

172x150x51 mm



• **Motor** : Capacitor-Run induction motor

• **Frame** : Aluminum Alloy, Painted black

• **Impeller** : Retardant thermoplastic in black color, rated UL94V-0

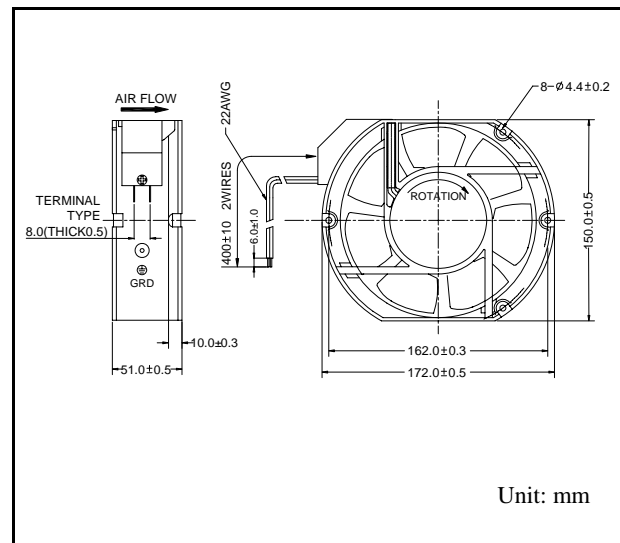
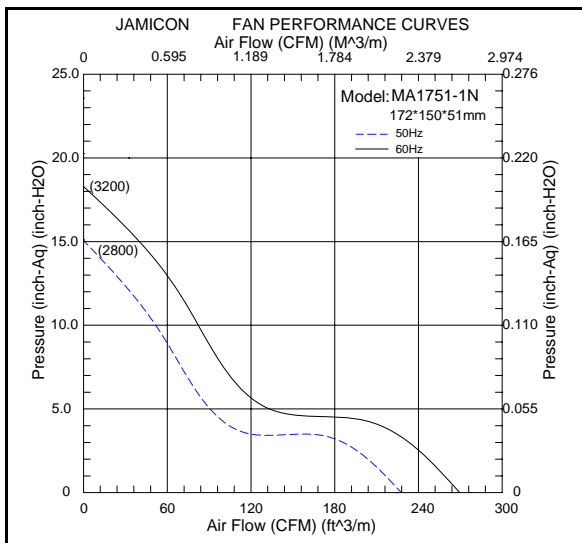
• **Speed Range** : ±10%

• **Thermal protected**

• SPECIFICATIONS

Model	Bearing	Nominal Voltage (V)	Frequency (Hz)	Air Flow (CFM)	Static Pressure (inchH ₂ O)	Speed (R.P.M)	Nominal Current (Amp)	Input Power (Watt)	Noise (dBA)	Weight (g)
MA1751H1BN	Dual ball	110-120	50	228	0.580	2800	0.38/0.40	46	53.40	995
			60	269	0.720	3200		48	57.2	
MA1751H2BN		220-230	50	228	0.580	2800	0.25/0.28	52	53.60	
			60	269	0.720	3200		57	57.2	

Specifications subject to change without notice



Unit: mm