

Specification: 10(4)A 250VAC T85 16(4)A 250VAC T125 1E4 15A 125V/7.5A 250VAC

RL1-8

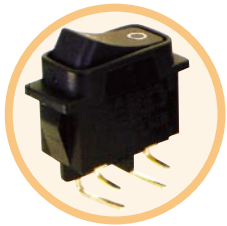
RL1 SERIES

EXPLANATION MODEL NUMBER

RL1-8-21-C-2-BK/BK-P1

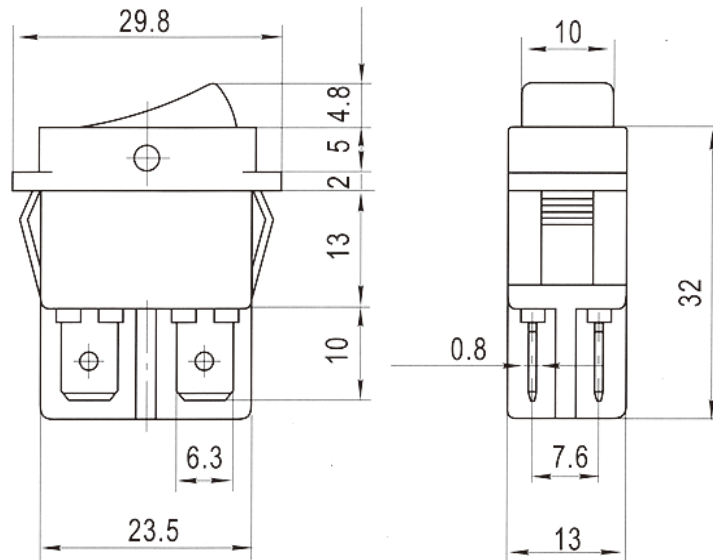


RL1-811-C-2-BK/BK-P1
ON-OFF 2P SPST



RL1-821-C-2-BK/BK-P21
ON-OFF 4P DPST

Function	Cap Printing	Color Cap/Housing	Terminal				
21 ON-OFF 4P	0 None	BK Black	 (P1)				
11 ON-OFF 2P	1	WT White					
	2	GE Grey	 (P21)				
	17						
<table border="1"> <thead> <tr> <th>Cap Type</th> <th>Cap Type</th> </tr> </thead> <tbody> <tr> <td>C Soft Line</td> <td></td> </tr> </tbody> </table>		Cap Type	Cap Type	C Soft Line			
Cap Type	Cap Type						
C Soft Line							



Panel hole size

