

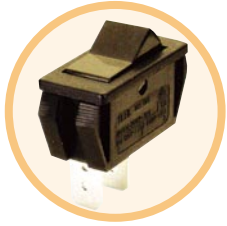
Specification: 10(4)A 250VAC T85 16(4)A 250VAC T125 1E4 15A 125V/7.5A 250VAC

RL1-5 (Y)

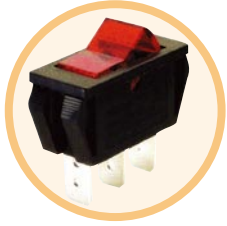
RL1 SERIES

EXPLANATION MODEL NUMBER

RL1-5 (Y)-11-B-10-BK/BK-P1



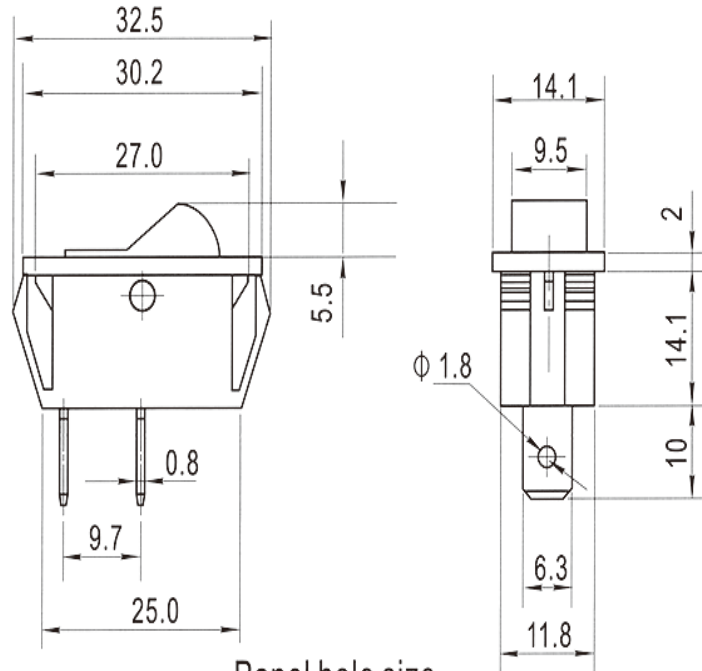
● RL1-5(Y) 11-B-0-BK/BK-P2  
ON-OFF 2P



● RL1-5(Y) 13-B-0-RE/BK-P2  
ON-OFF-ON 3P

Function	Cap Printing	Color Cap/Housing	Terminal
11 ON-OFF 2P	0 None	BK Black	(P1)
12 ON-ON 3P	1	WT White	(P2)
13 ON-OFF-ON 3P	2	RE Red	(P14)
	10	GE Grey	(P4)
	14		

Cap Type	
B	Angle
C	Soft Line



Panel hole size

