

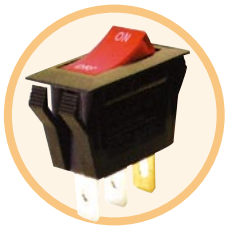
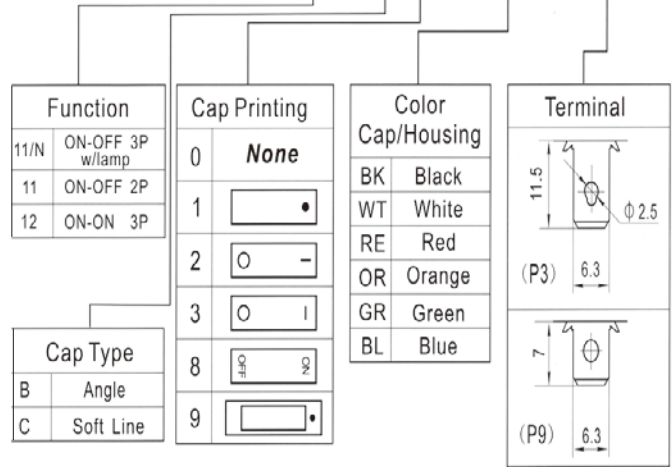
RL1-5 (W)(X)

Specification: 10(4)A 250VAC T85 16(4)A 250VAC T125 1E4 15A 125V/7.5A 250VAC

RL1 SERIES

EXPLANATION MODEL NUMBER

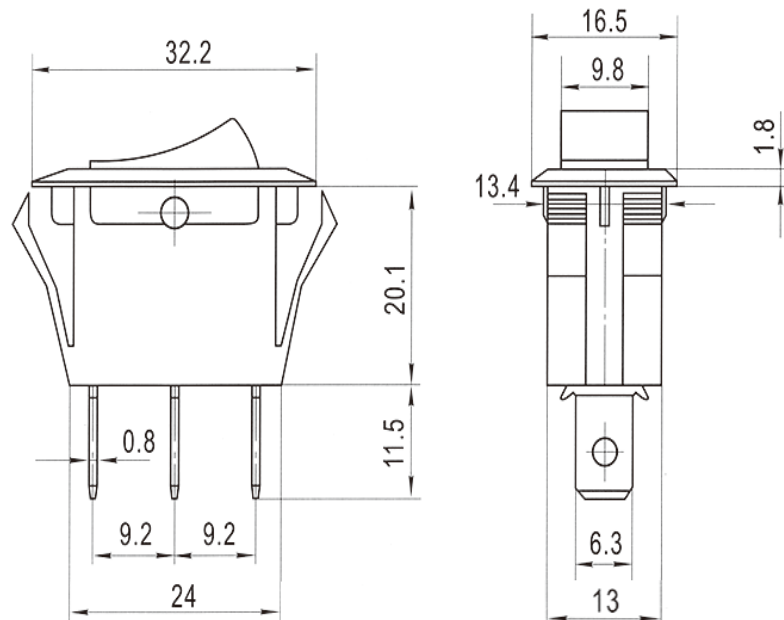
**RL1-5(W)-11/N-C-2-RE/BK-P3**



● RL1-5(W) 11/N-C-8-RE/BK-P3  
ON-OFF 3P W/Lamp



● RL1-5(X) 11/N-B-9-OR/BK-P3  
ON-OFF 3P W/Lamp



Panel hole size

