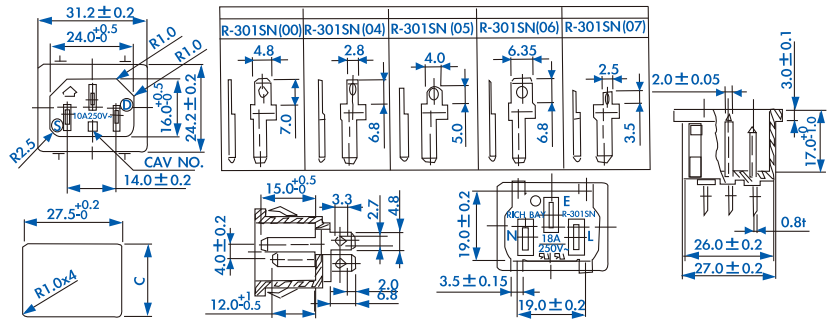




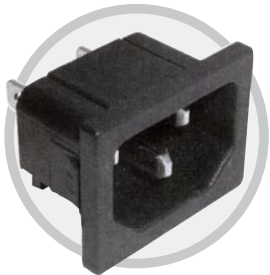
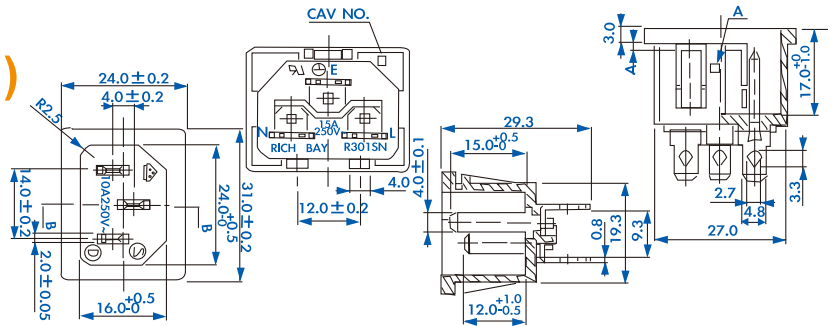
R-301SN

SPECIFICATION:
 * Rating: 10-15A 250V AC
 * Insulation Resistance: 100MΩ at 500V DC
 * Dielectric Strength: 2000V AC 1 minute.
 * Body material: Nylon 66 UL 94V-0



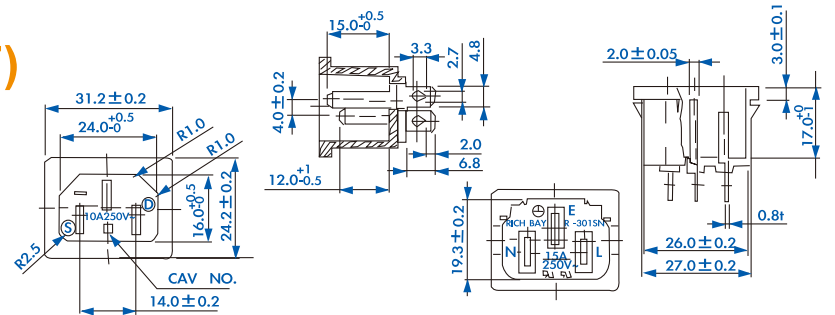
R-301SN(01)

SPECIFICATION:
 * Rating: 10-15A 250V AC
 * Insulation Resistance: 100MΩ at 500V DC
 * Dielectric Strength: 2000V AC 1 minute.
 * Body material: Nylon 66 UL 94V-0



R-301SN(37)

SPECIFICATION:
 * Rating: 10-15A 250V AC
 * Insulation Resistance: 100MΩ at 500V DC
 * Dielectric Strength: 2000V AC 1 minute.
 * Body material: Nylon 66 UL 94V-0



R-301SN(12)

SPECIFICATION:
 * Rating: 10-15A 250V AC
 * Insulation Resistance: 100MΩ at 500V DC
 * Dielectric Strength: 2000V AC 1 minute.
 * Body material: Nylon 66 UL 94V-0

