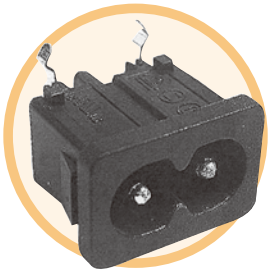
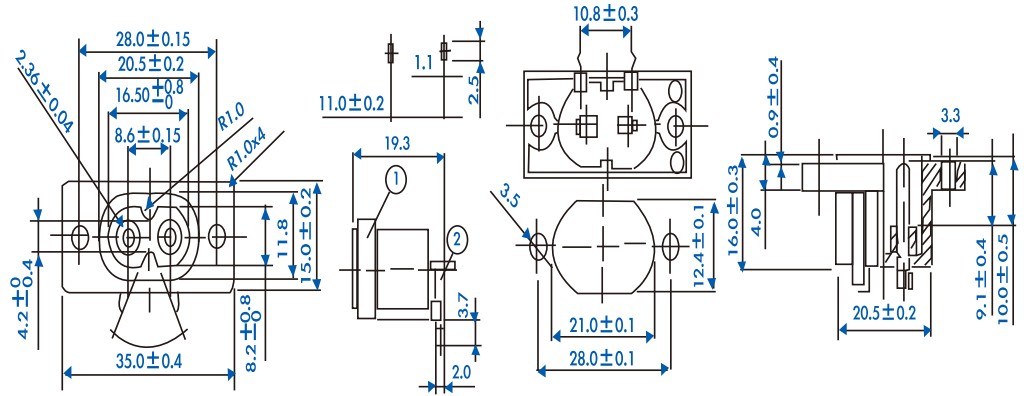


**R-201A90(00)**

SPECIFICATION:

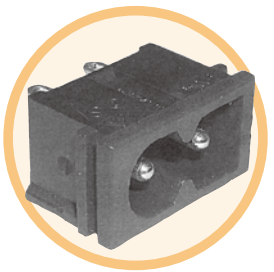
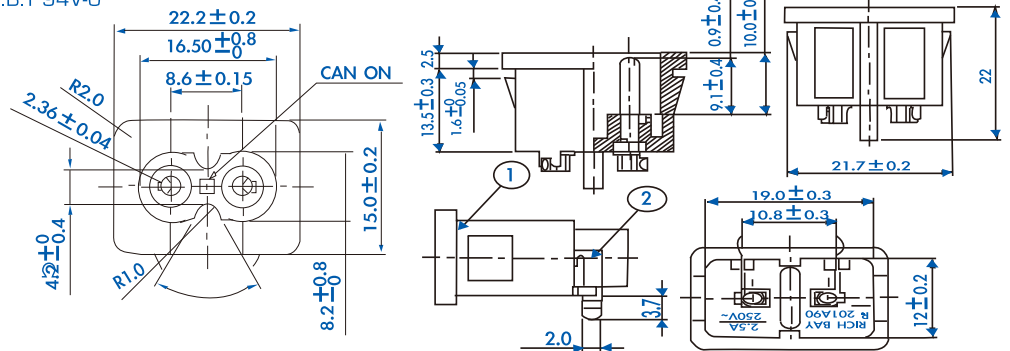
- \* Rating: 2.5A 250V AC
- \* Insulation Resistance: 100MΩ at 500V DC
- \* Dielectric Strength: 2000V AC 1 minute.
- \* Body material: P.B.T 94V-0



**R-201A90(16)**

SPECIFICATION:

- \* Rating: 2.5A 250V AC
- \* Insulation Resistance: 100MΩ at 500V DC
- \* Dielectric Strength: 2000V AC 1 minute.
- \* Body material: P.B.T 94V-0



**R-201A90(09)**

SPECIFICATION:

- \* Rating: 2.5A 250V AC
- \* Insulation Resistance: 100MΩ at 500V DC
- \* Dielectric Strength: 2000V AC 1 minute.
- \* Body material: P.B.T 94V-0

