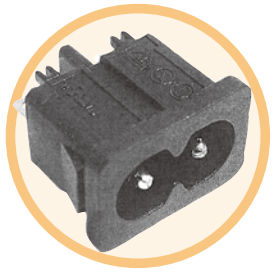
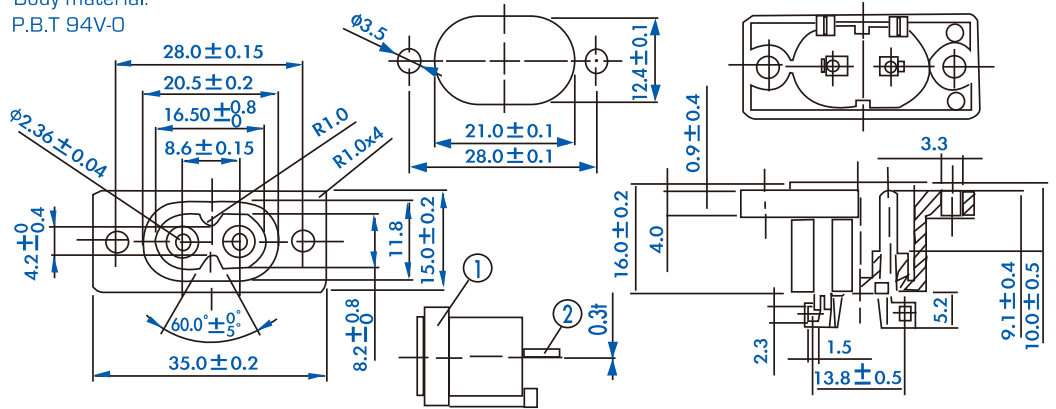


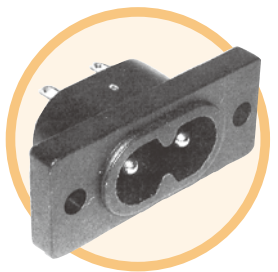
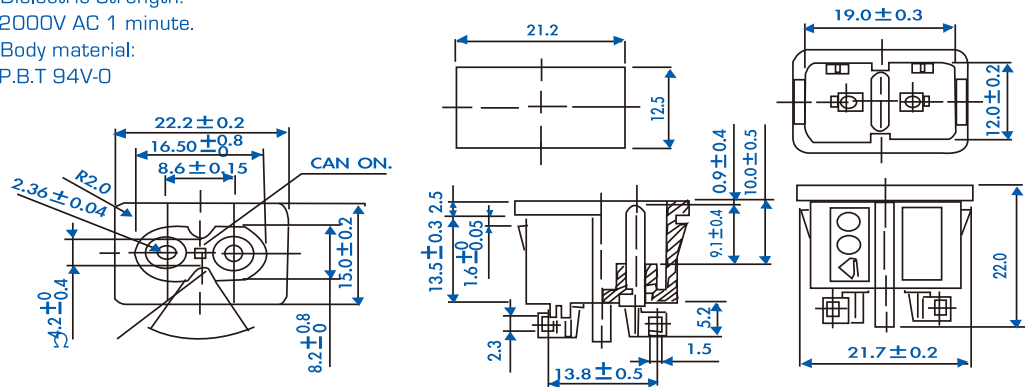
● R-201A(00)

SPECIFICATION:
 * Rating: 2.5A 250V AC
 * Insulation Resistance: 100MΩ at 500V DC
 * Dielectric Strength: 2000V AC 1 minute.
 * Body material: P.B.T 94V-0



● R-201A(01)

SPECIFICATION:
 * Rating: 2.5A 250V AC
 * Insulation Resistance: 100M at 500V DC
 * Dielectric Strength: 2000V AC 1 minute.
 * Body material: P.B.T 94V-0



● R-201A(03)

SPECIFICATION:
 * Rating: 2.5A 250V AC
 * Insulation Resistance: 100M at 500V DC
 * Dielectric Strength: 2000V AC 1 minute.
 * Body material: P.B.T 94V-0

