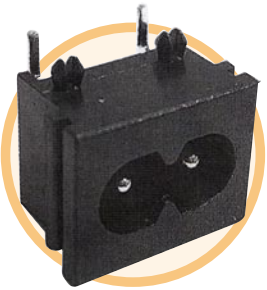
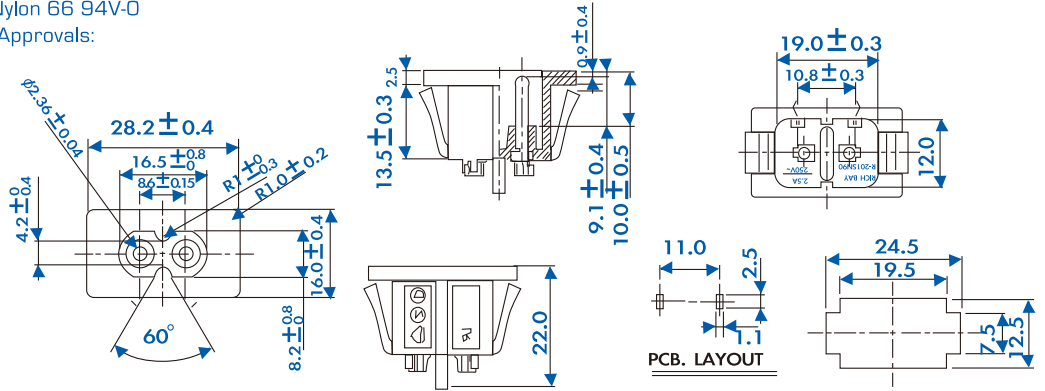


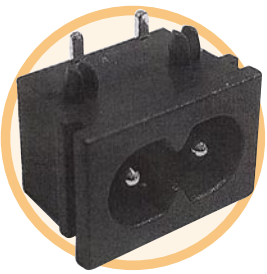
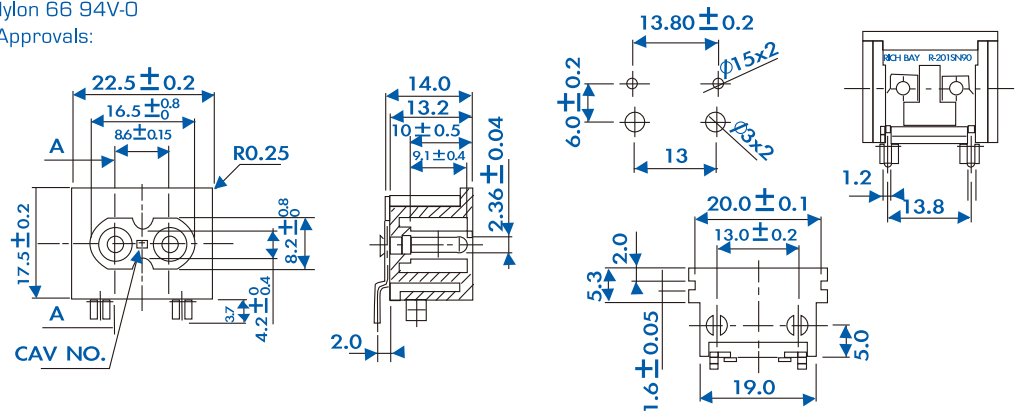
● R-201SN90(01)

- SPECIFICATION:  
 \* Rating: 2.5A 250V AC  
 \* Insulation Resistance: 100MΩ at 500V DC  
 \* Dielectric Strength: 2000V AC 1 minute.  
 \* Body material: Nylon 66 94V-0  
 \* Approvals:



● R-201SN90(04)

- SPECIFICATION:  
 \* Rating: 2.5A 250V AC  
 \* Insulation Resistance: 100MΩ at 500V DC  
 \* Dielectric Strength: 2000V AC 1 minute.  
 \* Body material: Nylon 66 94V-0  
 \* Approvals:



● R-201SN90(08)

- SPECIFICATION:  
 \* Rating: 2.5A 250V AC  
 \* Insulation Resistance: 100MΩ at 500V DC  
 \* Dielectric Strength: 2000V AC 1 minute.  
 \* Body material: Nylon 66 94V-0  
 \* Approvals:

