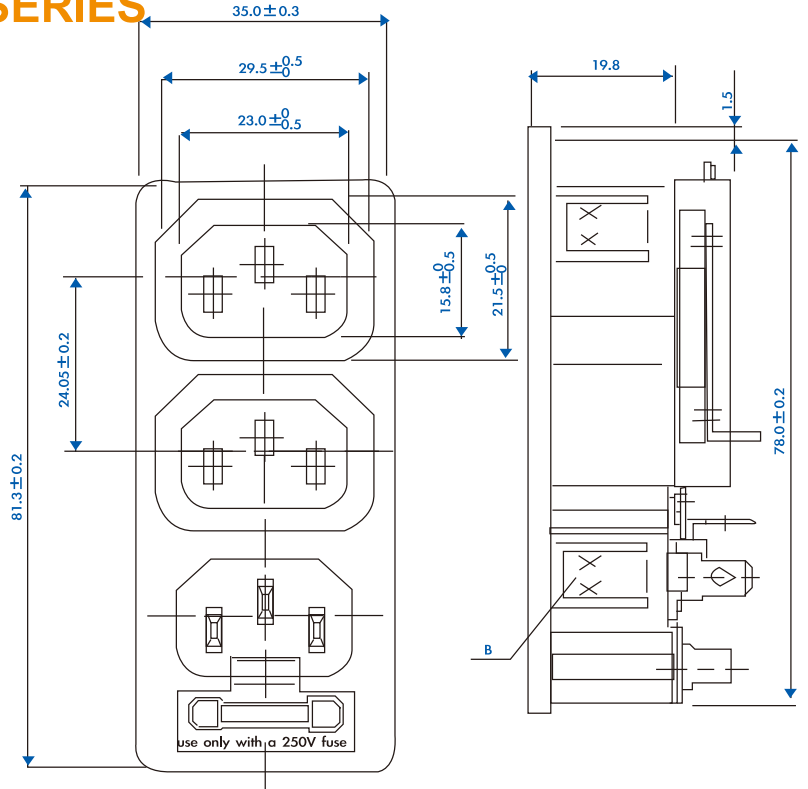


R-3014G2 SERIES
R-3014G21



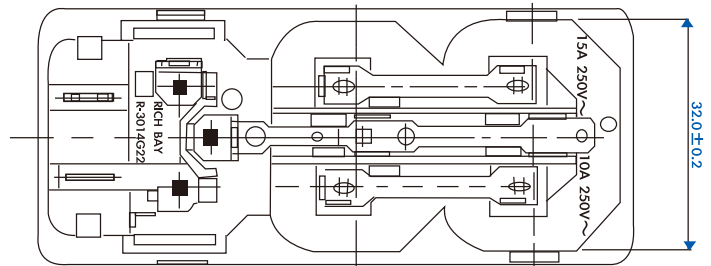
R-3014G22



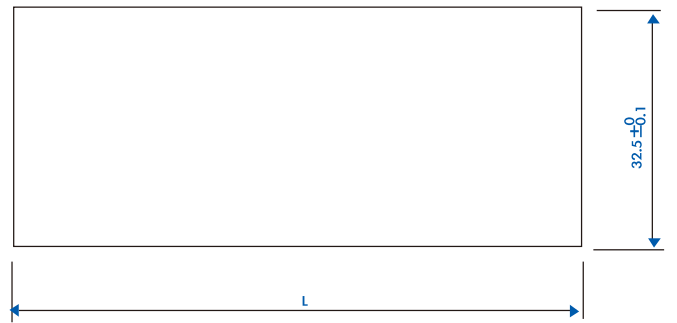
R-3014G23



R-3014G24



R-3014G25



PANEL CUT-OUT (A)mm $\begin{matrix} +0.2 \\ -0 \end{matrix}$

	G21	G22	G23	G24	G25	G26
L	54.3	78.3	102.3	126.6	150.5	174.3

A		B	
P/N	SIZE	P/N	間隙
T-187		150	1.5
T-120		200	2.0
		250	2.5

SPECIFICATION:

*Rating: 10A 250V AC.
15A 125V AC.

*Insulation Resistance:
over 100MΩ at 500V DC

*Dielectric Strength:
2000V AC 1 minute.

*Body material:Black Glass-Filled.
Thermoplastic. UL 94V-0

*Approvals:

